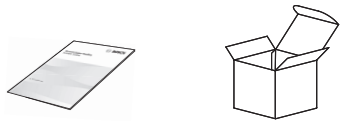
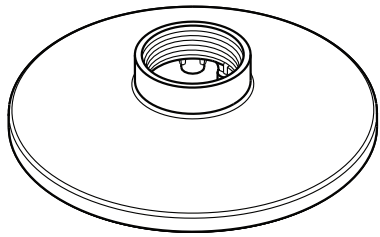
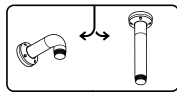
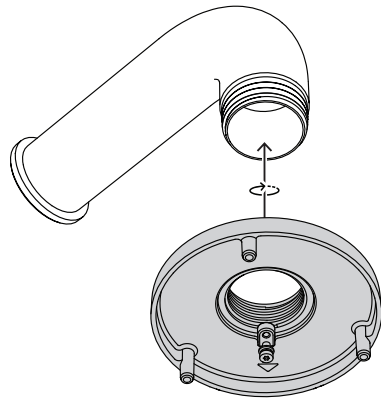


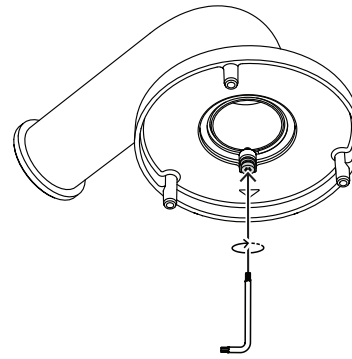
1 |



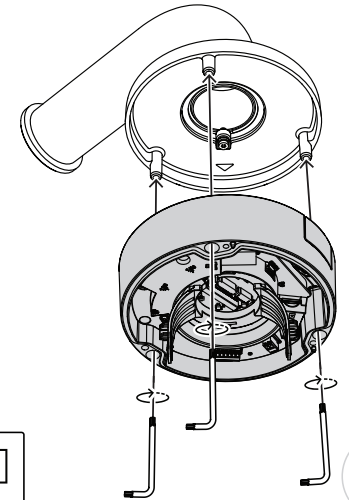
2 |



3 |



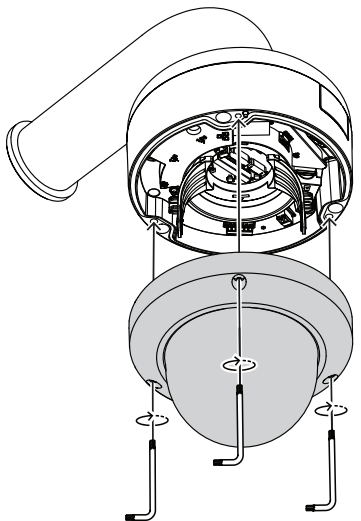
4 |



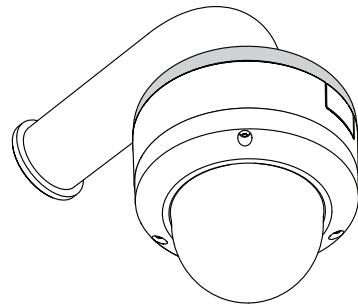
NDE-350x-AL



5 |

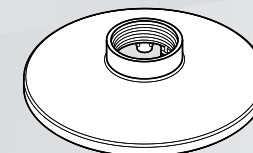


6 |



Pendant interface plate, 137mm

NDA-3080-PIP

**en** Quick installation guide**Bosch Security Systems B.V.**Torenallee 49
5617 BA Eindhoven
Netherlands**www.boschsecurity.com**

© Bosch Security Systems B.V., 2021